


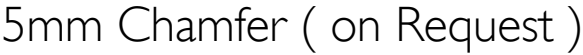









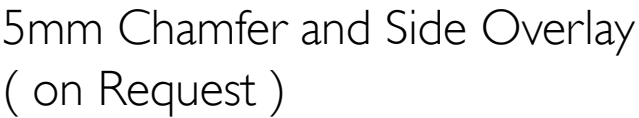




## CROSS SECTIONS DETAIL FOR THE GEMSTONE WORK






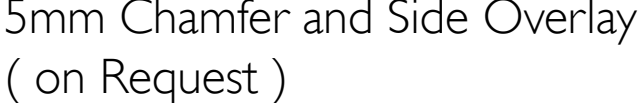
### 2CM EPOXY RESIN SLAB

-  2CM 
-  2CM 
-  2CM 
-  2CM 

### OVERLAY ON MARBLE

-  2CM 
-  2CM 
-  2CM 
-  2CM 

### OVERLAY ON GLASS

-  2CM 
-  2CM 



**MESH MOUNTED SOLID**



**MESH MOUNTED OVERLAY**

Please note: In mesh mounted solid, each piece is Solid and Joint less.  
In mesh mounted overlay, small pieces are overlaid on marble mosaic.

# GEMSTONE INFORMATION



## TECHNICAL NOTES

### SIZES

We manufacture made to order sizes as well as slabs. Fabrication charges are applicable for custom shapes.

Maximum Slab size is 3 Mt x 1.6 Mt.

Thickness of Slab Size is 2cm for Epoxy Resin and 2cm for Glass/Marble Overlay. Custom Thickness can be delivered.

### BACKING

Backing type and thickness can be selected at the time of Order Placement for the Overlay Slabs. Options available include: Marine Ply wood, Marble, Honeycomb, Acrylic and Laminated Glass.

For Honeycomb panels minimum order is 10SQMt at a charge of 130 USD/ SQMt.

The Pricelist is applicable for Laminated Glass, incase of requirement of Extra Clear Laminated Glass please add 100USD/SQMt to the given cost.

Backing type and thickness can be selected at the time of Order Placement for the Overlay Slabs. Options available include: Marine Ply wood, Marble, Honeycomb, Acrylic and Laminated Glass.

### STONE QUALITY and OVERLAY THICKNESS

The Image in the catalogue is representative of the stone quality. Final product may differ in appearance.

Prices are quoted for best available grade in the material of your selection.

Lower grade of material equals a reduction in price.

Ammonites can be included in the slab on request at additional price.

Overlay thickness is between 3-4mm. Thickness can be customized at additional cost.

All shells are byproducts of a shell farm or the food industry.

### DESIGN ASSISTANCE AND STONE SELECTION

We have an in-house team for AutoCad and 3d drawings. Files can be sent in .dwg format for custom orders.

All stones are recommended for Indoor use. Please contact us for any specific queries.

### PAYMENT TERMS

All prices are in USD/SQMT. Incase of Dollar Fluctuations greater than 5% from current rate (1 U.S. dollar = 44.22 ) prices are subject to change.

Prices valid till December 2010.

Prices Inclusive of Export Packing.

Payment Terms: Irrevocable L/C for 100% amount at sight.

### DELIVERY TERMS

All Prices are Ex-factory, New Delhi.

All work is by hand and manual labor. Time for delivery is dependent on size of order.

ANI MARBLE & GRANITE  
NATCO EXPORTS PVT. LTD.

A - 106, Sector - 5, Noida 201301, UP, India, Tel: 95120 - 4335911 / 12, Fax: 95120 - 2420511 / 711,  
E - mail: natcostone@gmail.com

[www.odysseystone.com](http://www.odysseystone.com)